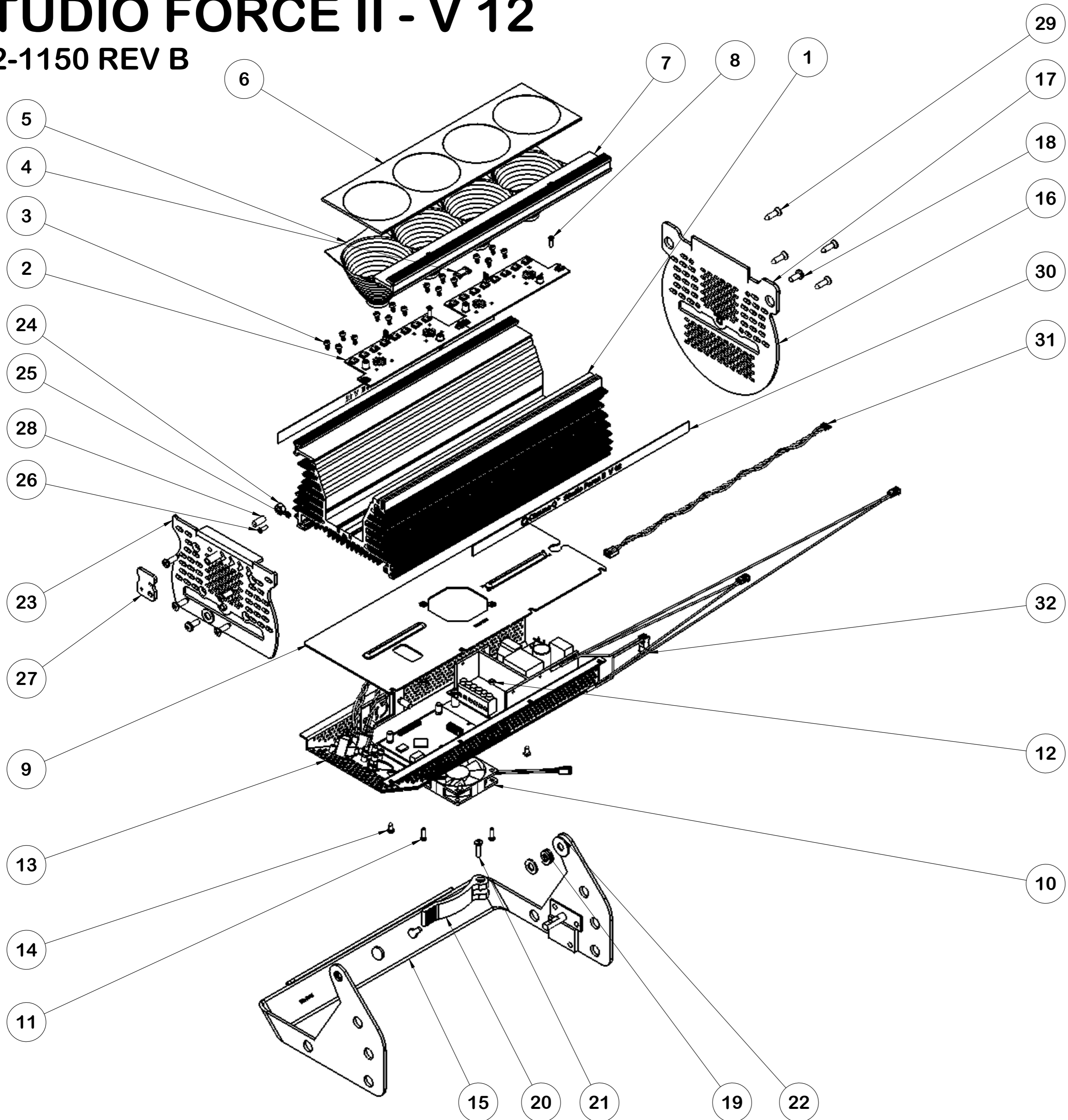


# STUDIO FORCE II - V 12

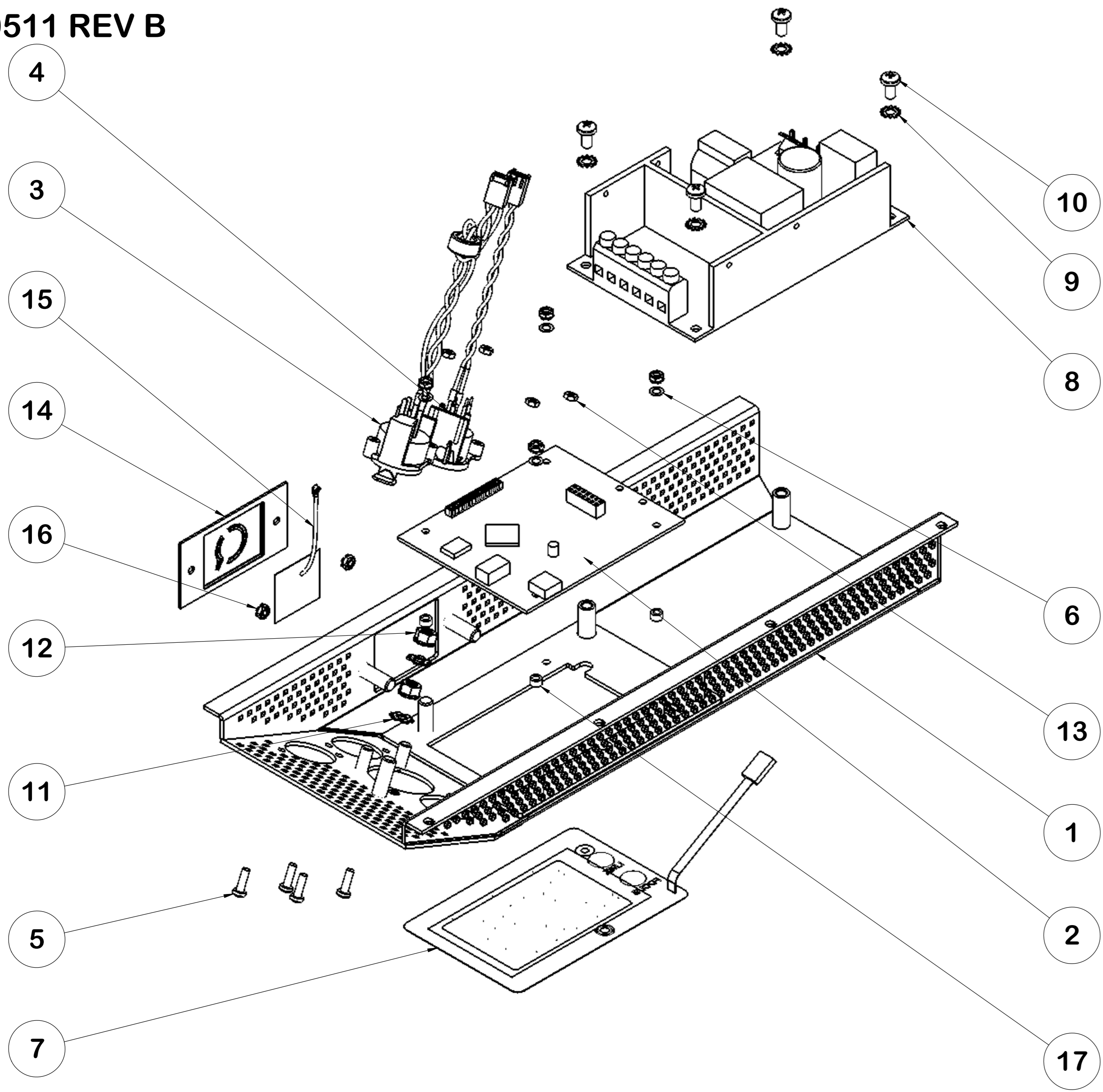
652-1150 REV B



ITEM NO.	PART NUMBER	DESCRIPTION	QTY.
1	652-0100	EXTRUSION CFII 12 MAIN ANOD BLK	1
2	641-0107	PCB COMPLETE ENGINE SFII	2
3	430-1406-0	SCREW M3 X 6 SHCS BLK	16
4	900-2174	HIROSE BRIDGE (FLOATING PLUG) 3PIN	1
5	641-0325	REFLECTOR SFII	4
6	641-0215	LENS SF II	1
7	652-0101	EXTRUSION CFII 12 CLAMP MACH ANOD BLK	1
8	429-6110-0	SCREW SELF TAP FH PLPS BLK ST2.9x9.5 RoHS	2
9	652-0003	FAN PLATE CFII 12 BLK	1
10	621-0057	FAN ASSY CF12	1
11	430-1212-0	SCREW M3x12 PH PLPS BLK	2
12	440-5516-8	ORING 4.1mm NBR70 1.6mm W	2
13	652-0511	SA SFII V12 BOTTOM BRACKET	1
14	435-6295-0	SCREW SELF TAP PH PLPS BLK ST3.5x9.5 RoHS	4
15	621-0046	YOKE CF12 COMPLETE	1
16	652-0001	END PLATE LOCKING CF12 BLACK	1
17	480-2518-1	WASHER FLAT M8 TYPE M	3
18	450-1212-0	SCREW M5x12 PH PLPS BLK	2
19	480-2914-4	WASHER DOUBLE SPRING M8	1
20	622-0012	LEVER QUICK RELEASE	1
21	440-1216-2	SCREW M4x16 PH PLPS SS	1
22	480-2112-1	FLAT WASHER, M8 TYPE L ZPL	1
23	652-0002	END PLATE CONNECTOR CF II 12	1
24	460-3105-0	NUT HEX M6 BLACK	1
25	430-3102-1	M3 HEX NUT ZN	1
26	430-1110-0	SCREW M3x10 FH PLPS BLK	1
27	621-0049	ACCESSORIES LOCK CF12 BLK	1
28	900-0342	PLUNGER BALL M6	1
29	450-6119-0	SCREW SELF TAP FH PLPS BLK 4.8X19	8
30	652-0554	STRIP IDENTIFICATION STUDIO FORCE II V 12	2
31	652-0470	DATA TO ENGINE FROM CTRL PCB	1
32	652-0446	PSU TO ENGINE	1

# STUDIO FORCE II- 12

652-0511 REV B



ITEM NO.	PART NUMBER	DESCRIPTION	QTY.
1	652-0004	BOTTOM BRACKET CF12	1
2	652-0201	PCB COMPLETE SF II 12 ADDRESSING	1
3	652-0401	HARNESS XLR5-F CFII 12	1
4	652-0402	HARNESS XLR5-M CFII 12	1
5	429-1208-9	SCREW M2.9 x 8 PH PZDRV BLK PLASTITE	4
6	435-2108-3	WASHER FLAT M3.5 NYLON 6/6	4
7	652-0200	OVERLAY, CF II 12	1
8	652-0605	S/A PSU WITH HARN CAP AND SILICONE RUBBER	1
9	440-2608-4	WASHER LOCK M4 EXT TEETH BLK	4
10	440-1208-0	SCREW M4x8 PH PLPS BLK	4
11	450-2609-1	WASHER LOCK M5 EXT TOOTH Zn	2
12	450-3205-1	NUT HEX M5 COMBI Zn	2
13	425-3102-1	NUT HEX M2.5, 5.5mm AF, Zn PLATED	4
14	652-0210	ANTENNA MOUNT	1
15	900-1319	900-1319 [ANTENNA, FLEX CIRC PCB w 53mm CABLE]	1
16	430-3203-0	NUT HEX M3 NYLOCK BLK	6
17	430-2003-7	SPACER ROUND M3 BRASS 3mm LG	4