



This is an ergonomic mouse controller for prolonged shows with proportional control for accurate tracking. The unit has 2 mappable buttons and 2 mappable encoders that can be custom assigned to a variety of features from within Follow-Me 3D. The unit has a target selection ID display to identify which target the controller is connected to.

The console has a Neutrik XLR-4 output to link to the optional Follow-Me Fader Console. There is a Neutrik XLR-3 available for an optional LED desk light.

SPECIFICATIONS

- Input: 48V DC PoE IEEE 802.3af - 0.35A
- Output to fader console: 12V DC - 0.35A
- Desk light: 12V DC - 150mA max
- 1x Mouse Console + 1x Fader Console: 10 watt power consumption

Connectivity:

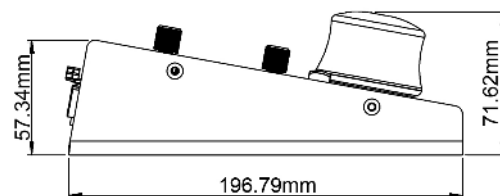
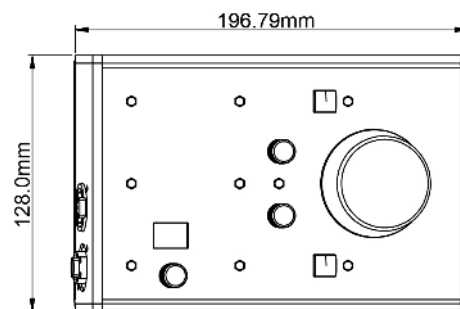
- XLR-4 Link to fader console
- XLR-3 Desk light
- Ethercon for network

- Weight: 1.07kg
- Weight boxed: 1.14kg

- Operating temperature: -10 to +50 °C (non-condensing)

This device complies with part 15 of the FCC Rules. Operation is subject to the following two conditions:

- (1) This device may not cause harmful interference, and
- (2) this device must accept any interference received, including interference that may cause undesired operation.



INDEPENDENT • FLEXIBLE • SCALABLE

FOLLOW-ME
TRACKING SOLUTIONS