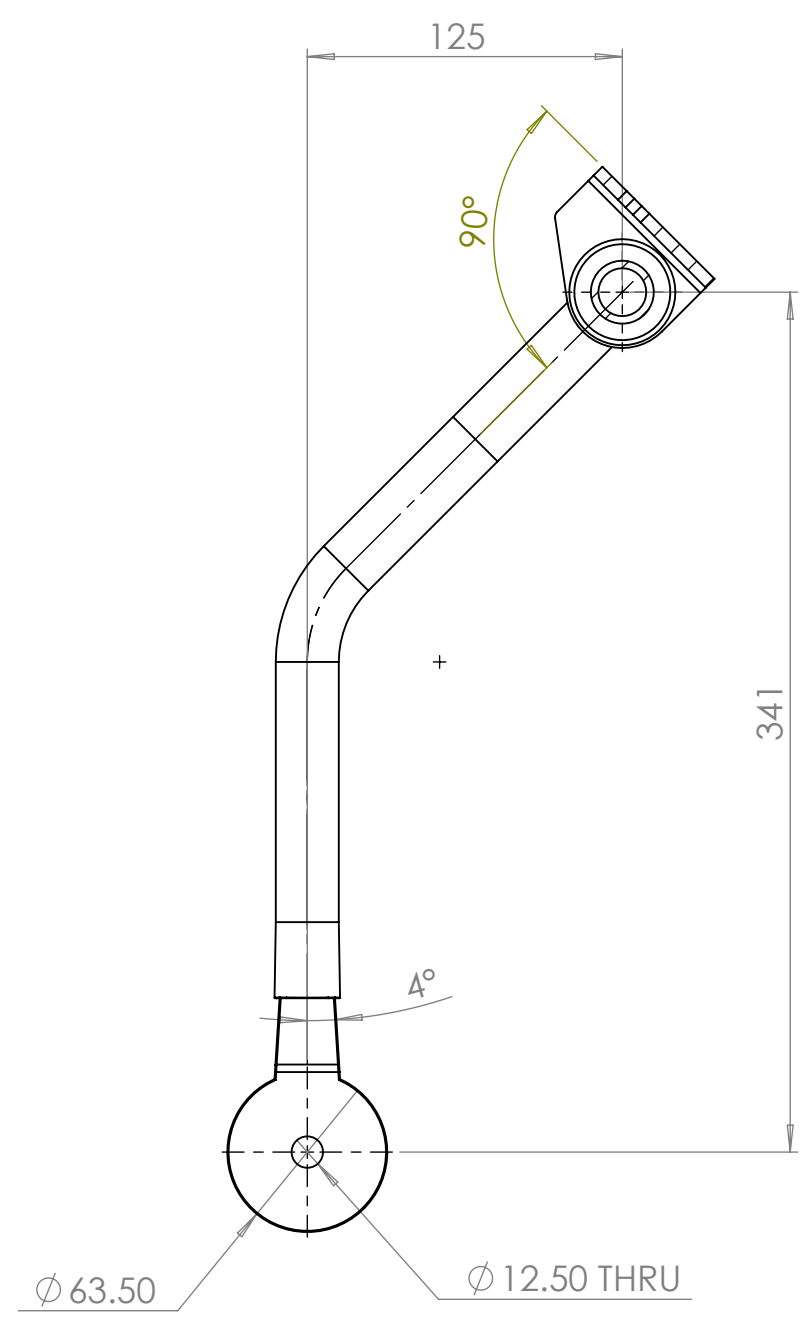


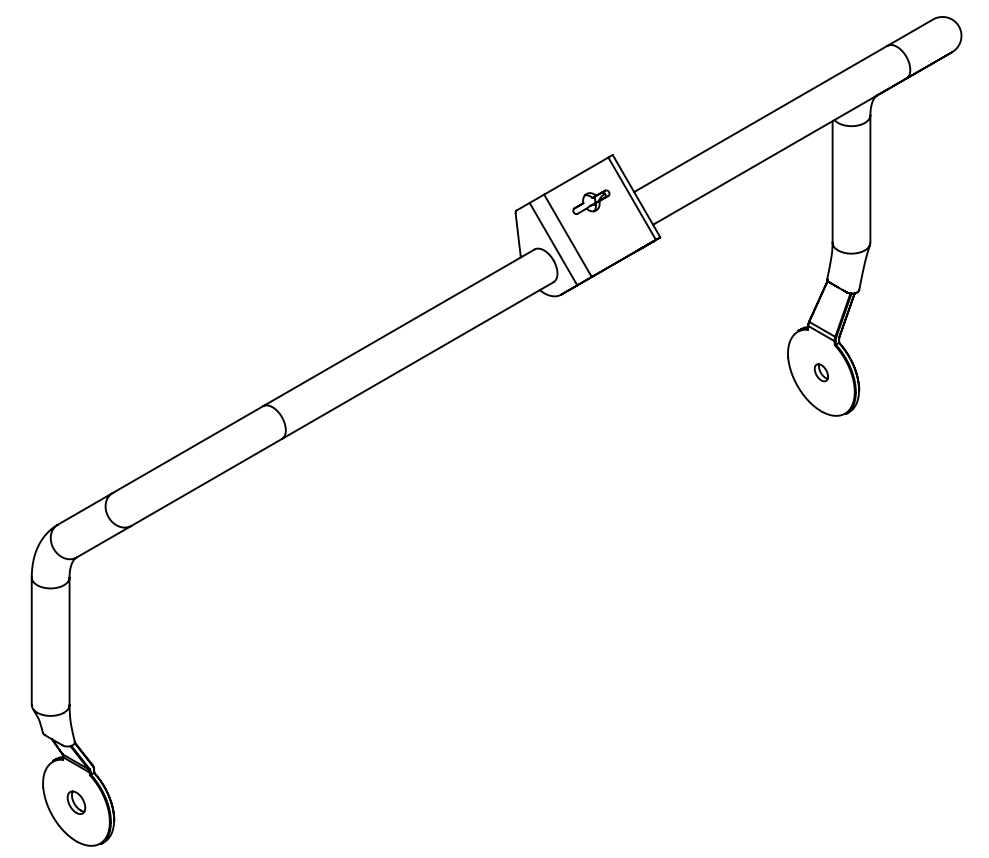
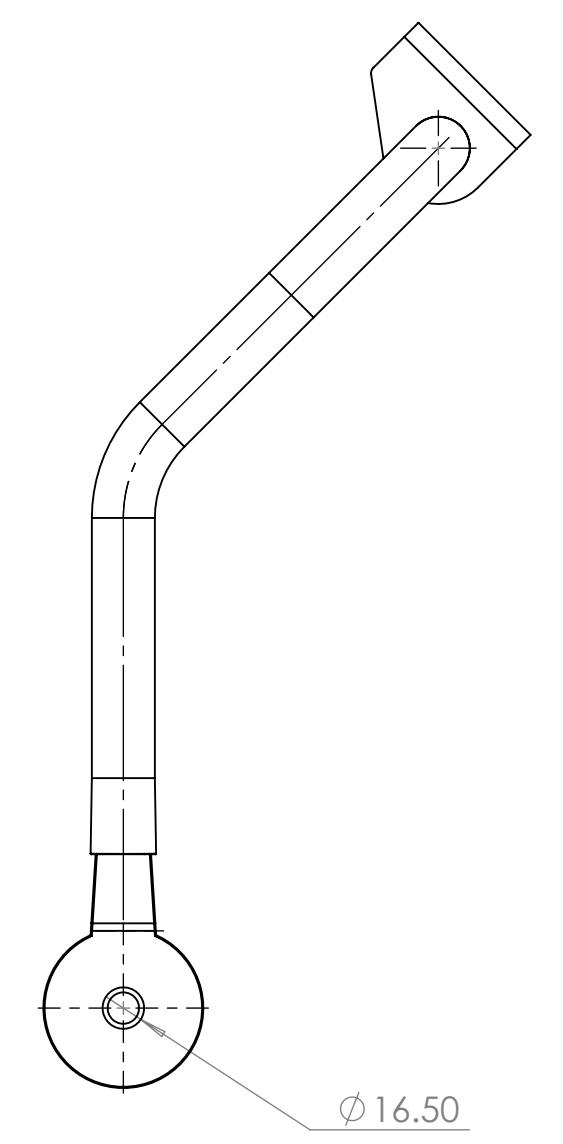
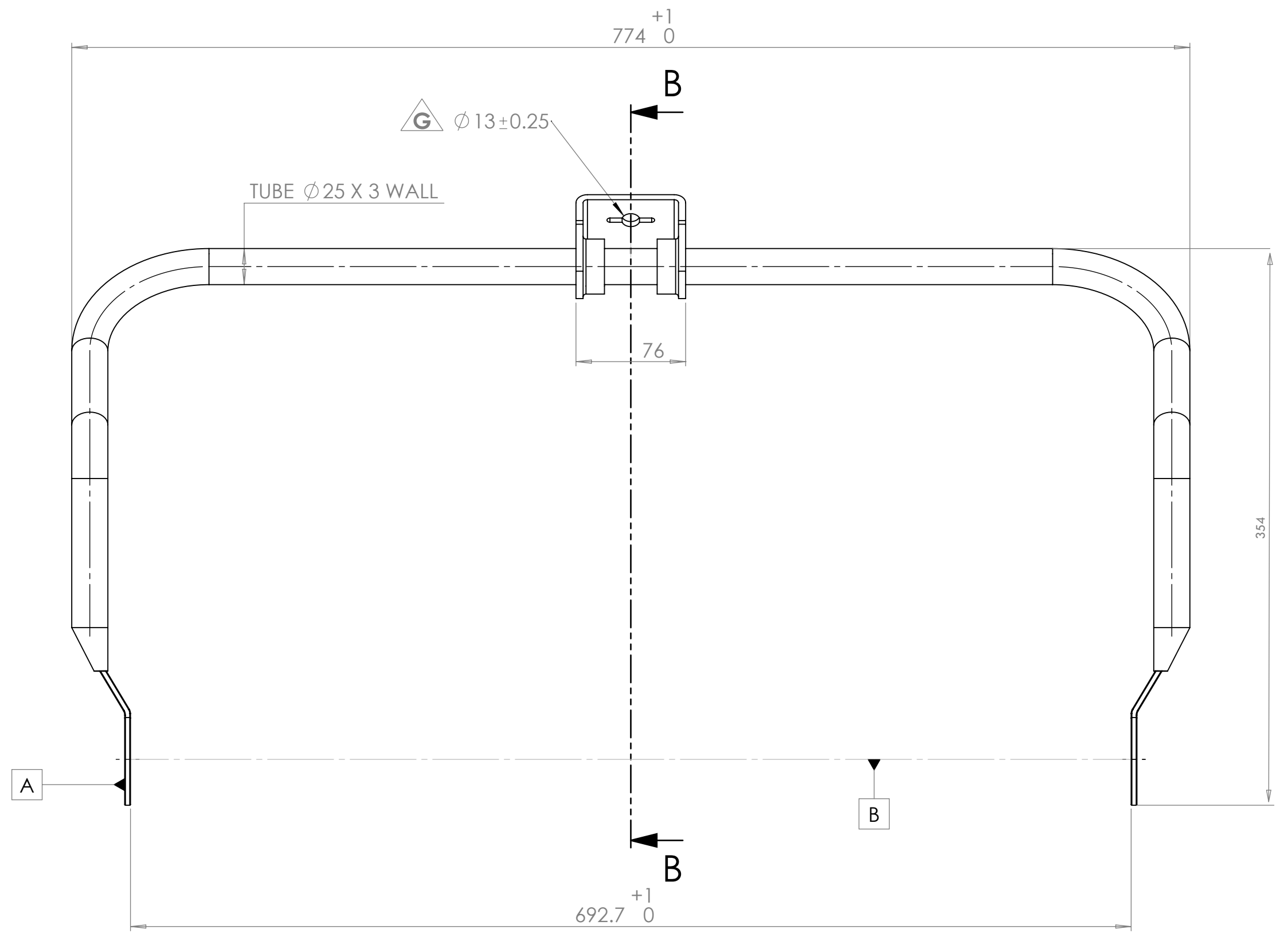
12 11 10 9 8 7 6 5 4 3 2 1

H  
G  
F  
E  
D  
C  
B  
A

H  
G  
F  
E  
D  
C  
B  
A



SECTION B-B



ALL INFORMATION CONTAINED IN THIS DOCUMENT IS PROPERTY OF CHROMA-Q AND MAY NOT BE REPRODUCED IN WHOLE OR PART WITHOUT PERMISSION OF CHROMA-Q

UNLESS OTHERWISE SPECIFIED, ALL DIMENSIONS ARE IN MM

TITLE:  
YOKE LONG SPF650, SPF2X4



SIZE A2	PART NO. 650-0081	REV G
------------	----------------------	----------

SCALE: DO NOT SCALE DRAWING SHEET 1 OF 1

12 11 10 9 8 7 6 5 4 3 2 1