

EclExpo Flood300FC

300W Full Colour RGB+WarmWhite asymmetric LED floodlight



The **EclExpo Flood300FC** is a Full Spectrum high power LED Floodlight, designed for exhibitions and showrooms, as a high-quality LED replacement of traditional tungsten, CDM or HMI asymmetric floods.

The **EclExpo Flood300FC** has a calibrated 300W RGB+WarmWhite LED source, ensuring high-quality white reproduction across the entire CCT with high CRI and TM30 and advanced control over colours. Combined with a reflector, it has a wide asymmetric beam angle of 100° (Horizontal) x 60° (Vertical) of indirect light emission. This unit is incredibly user-friendly, using remote control via DMX and RDM (optional W-DMX + CRMX), or intuitive stand-alone operation through an on-board display and two rotatory knobs CCT, colours and dimmer settings.

Its unique design and performance set a new standard for exhibition floodlights.

MAIN FEATURES

- 300W calibrated RGB+WarmWhite source, with high CRI and TM30
- Asymmetric beam angle of 100° (horizontal) x 60° (vertical)
- Xlr5p in/through for DMX/RDM control and communication, optional W-DMX + CRMX, Stand-Alone mode through two rotatory knobs

VERSIONS

Code	Housing
ECLEXPFL300FCBK	Black
ECLEXPFL300FCWH	White

TECHNICAL SPECIFICATION

LIGHT SOURCE

- Source:300 W RGB + Warm White LED
- Luminous flux:10'197 lm @3.200 K
- Lux:119 lx @5 m
- CRI:93,6 @5'600K
- R9:95,2 @5'600K
- TLCI:93 @5'600K
- TM30 Rf:91,7 @5'600K
- TM30 Rg:105,3 @5'600K
- Source life expectancy: > 20.000 h

OPTICS

- Optics: asymmetrical beam reflector in pure aluminium 99,6%
- Beam angle:(H) 100° x (V) 60°
- Additional optics:5° smooth filter on-board

COLOUR SYSTEM

- Colour mixing: RGB + Warm White
- CCT: CCT control, + / - green correction, tungsten emulation
- White presets:2.800 K - 10.000 K
- Colour wheel: built-in white presets

DYNAMIC EFFECTS

- Control Resolution: 16-bit dimmer
- Static mode: selection of static dimmer, colors and color temperature
- Manual mode: manual adjustment of intensity, CT, colour correction from knob
- Auto mode: built-in programs with execution speed adjustment

BODY

- Body:sturdy die-cast magnesium body
- Body colour: RAL 9004
- Other:see available accessories

CONTROL

- Protocols: DMX512, RDM
- Stand Alone:2 rotatory knobs
- DMX channels:1 / 2 / 5 / 6 / 17 channel
- Wireless Control: optional, LumenRadio Timo Fx DMX/RDM compatible with both CRMX (Lumen Radio) and W-DMX (Wireless DMX)
- RDM: RDM for remote monitoring and settings
- Display: Graphic User Interface
- Firmware upgrade: yes, via USB - DMX interface (UPBOX1) not included
- Master/Slave: for synchronised operation of more units linked in a chain

ELECTRONICS

- Dimmer: linear 0 ~ 100% electronic dimmer
- Dimmer curves:4 selectable dimming modes available
- Strobe / shutter:1 - 30 Hz, electronic
- Operating temperature: -10° ~ +45°
- Selectable PWM: 600 ~ 25.000 Hz

ELECTRICAL

- Mains power supply: 100-240V - 50/60Hz
- Max power consumption:340 W
- Output (at 230V):5 units on a single power line
- Power factor:> 0,97

PHYSICAL

- IP rating:20
- Cooling: active, silent operation
- Suspension and fixing: bracket for hanging and positioning
- Signal connection: Amphenol XLR 5p IN/OUT connectors
- Power connection: Seetronic powerCON TRUE IP65 IN/OUT
- Dimensions (WxHxD):391x247x210 mm
- Weight:5,2 kg

CERTIFICATIONS / APPROVALS

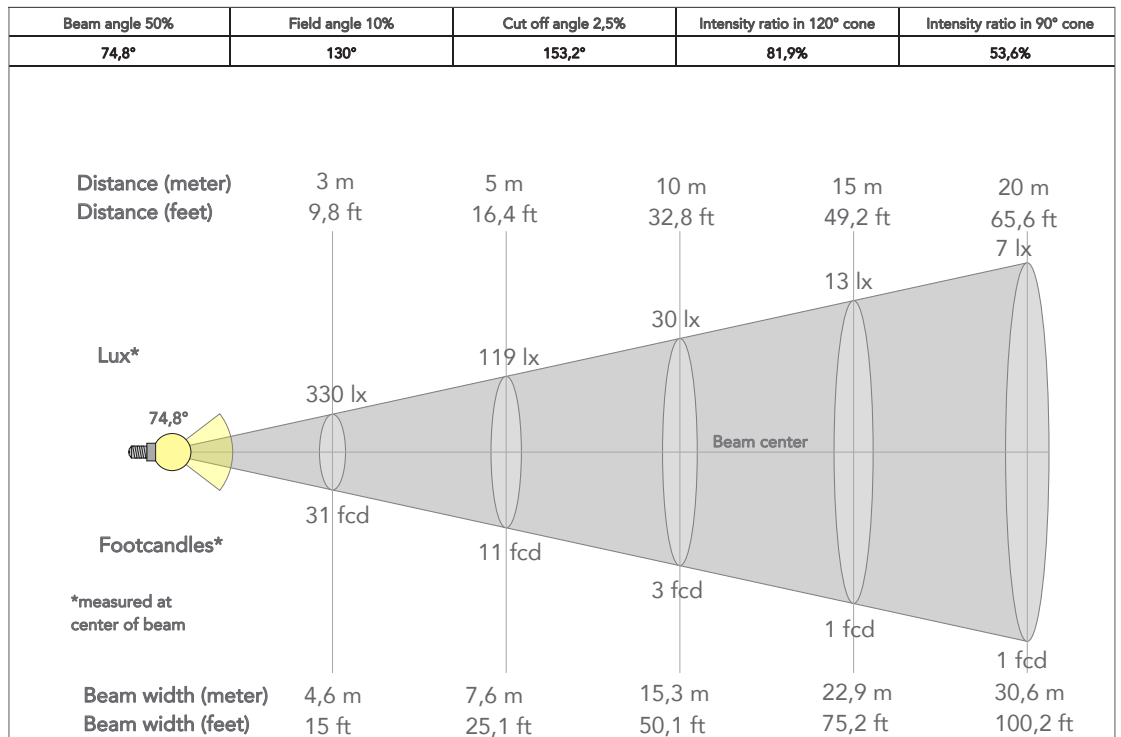
- Certifications / Approvals: CE, UKCA, RCM, cTUVus, FCC

ACCESSORIES & RELATED PRODUCTS

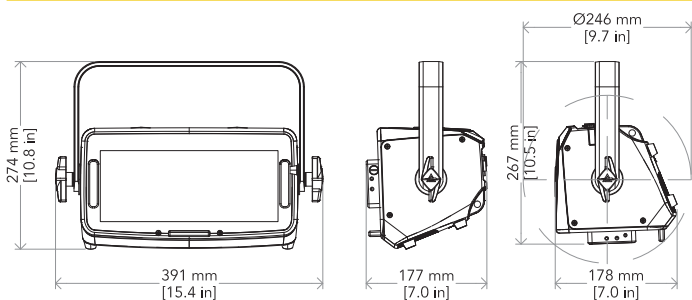
- ECLEXPOFL300VWFFB/W Filter frame for ECLEXPOFL300VW, black/white finishing
- ECLEXPOFL300VWLVB/W Anti-glare louvre for ECLEXPOFL300VW, black/white finishing
- ECLEXPOFL300VWBDB/W Barndoor for ECLEXPOFL300VW, black/white finishing
- ECLEXPOFL300VWWKB/W Wireless kit for ECLEXPOFL300VW, black/white finishing
- SPGM10 28mm spigot for fixtures, M10 bolt
- SPGM12 28mm spigot for fixtures, M12 bolt
- UPBOX1UP5 Firmware uploader kit, USB IN, 5pin XLR DMX OUT, USB OUT
- RSR0630B Steel security cable for hanging bodies, inox steel shackle, L=60 cm, black
- WSBBR512G6 BlackBox R-512 G6 receiver 512Ch, 2.45GHz, DMX&RDM, Bluetooth, G3, G4, G4S, G5, CRMX
- C6002B Slim aluminum clamp, 200kg loading, 48-51mm tubes, M10 bolt, Black
- FCLEXPOFL300VW Flight case for 6 pcs of ECLEXPOFL300VW
- 9513FXWL03 Ass. 3x2.5mm TH07 cable, 16A 3p 230V CEE plug, MENAC3FXW socket, L.3 m
- 958225L03 3x2.5mm TH07 Cable, 16A 3p PwCon MXW, 16A 3p PwCon FXW, L. 3m
- TOUR53415L03 Dmx cable HC5340. CANC5MXXLR5p->CANC5FXX XLR (f) 5p, L.3m
- WSBBF1G5 BlackBox F-1 G5 transmitter, 2,45GHz & 5.2/5,8 GHz, DMX/RDM, 512Ch
- WSBBF1G6 BlackBox F-1 G6 transrec, 512ch, 2.45GHz, DMX&RDM, Bluetooth, G3, G4, G4S, G5, CRMX
- WSBBR512G5 BlackBox R-512 G5 receiver 512Ch, 2.45GHz & 5.8GHz, DMX/RDM optional

PRESET 3,200K

Beam angle 50%: 74,8°



TECHICAL DRAWINGS



CERTIFICATIONS / APPROVALS



Conforms to UL STD. 1573
 Certified to CSA STD: C22.2 NO. 166

Visit our website
 for specifications and
 tech documentations

