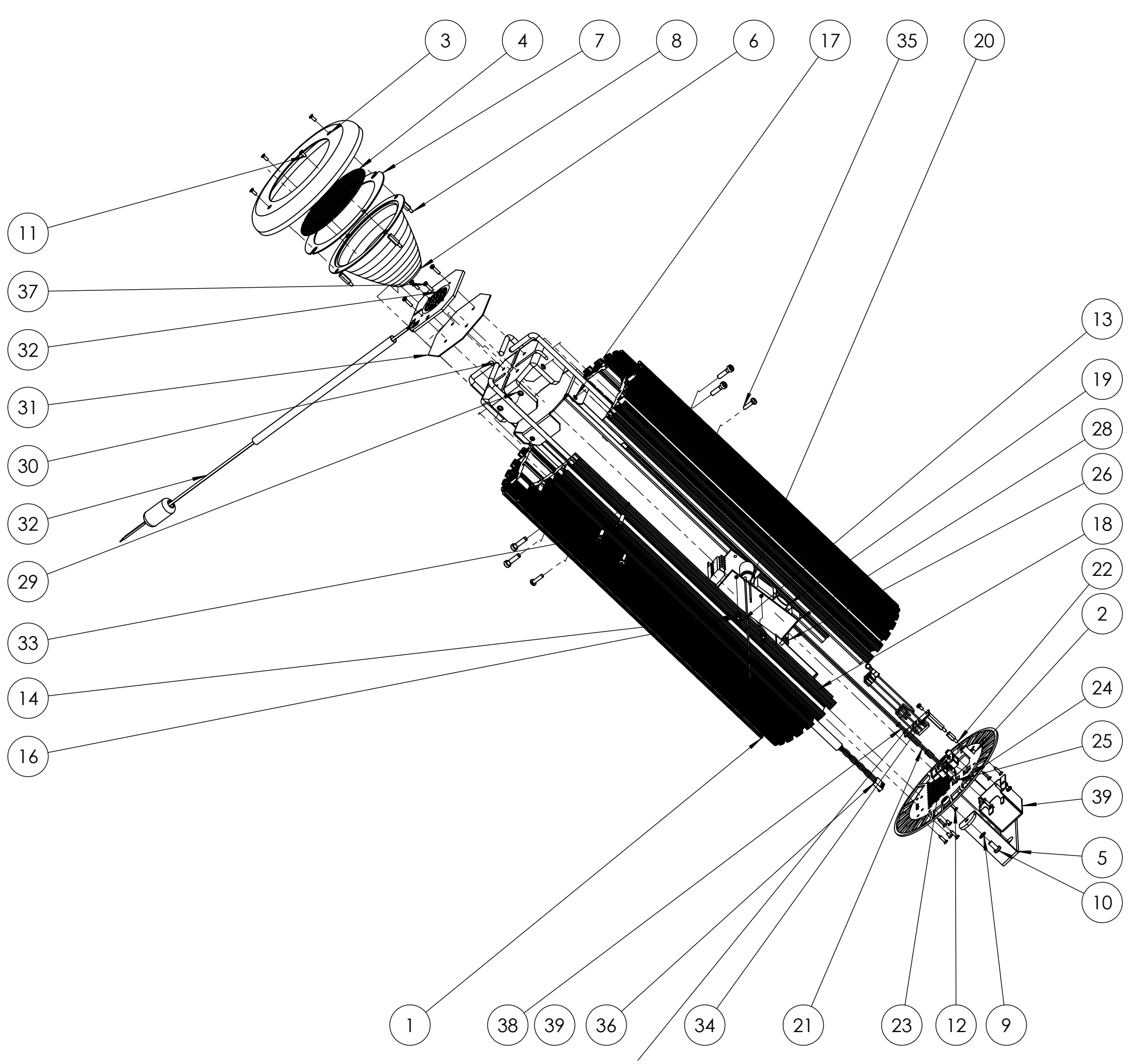


ITEM NO.	PART NUMBER	DESCRIPTION	QTY.
1	632-0587	S/A EXTRUSION/HP/BRKT W/PCB RGBW ADDR	4
2	632-0019	BACK PLATE INSPIRE XT TERMINAL STRIP	1
3	632-0506 / 632-0508	CAP CLOSING INSPIRE BLK	1
4	631-0021	LENS NARROW FOR OP-5LN2-0445	1
5	631-0005 / 632-0519	BRACKET HANDLE HOUSE LIGHT	1
6	632-0505	REFLECTOR PARABOLIC SPUN INSPIRE	1
7	632-0024	SPACER INSPIRE 1.75	1
8	430-4115-1	STDOFF M-F M3x15x7, 6mm STUD	4
9	450-2809-4	WASHER LOCK M5 (+)	2
10	450-1212-0	SCREW M5x12 PH PLPS BLK	2
11	430-1108-0	SCREW M3x8 FH PLPS BLK	4
12	429-6113-9	SCREW SELF TAP FH PZDV BLK ST2.9x13 RoHS	8
13	430-1212-0	SCREW M3x12 PH PLPS BLK	2
14	430-2107-0	WASHER FLAT M3 BLK	2
15	440-1216-0	SCREW M4x16 PH PLPS BLK	1
16	900-0204	WASHER LOCK M3 BLK	2
17	632-0023	BAFFLE	1
18	632-0022	BRACKET PSU TERMINAL STRIP INSPIRE 1.75 (+)	1
19	632-0405	S/A PSU WITH HARN CAP, PAD AND SILICONE RUBBER	1
20	632-0302	HARNESS CAPACITOR NOISE (S/A 632-0405)	1
21	430-4125-1	STDOFF M-F M3x25x7, 6mm	2
22	430-4110-1	STUD STDOFF M-F M3x10x7, 6mm STUD	2
23	632-0201	PCB COMPLETE DMX IN-OUT - INSPIRE XT	1
24	425-1106-0	M2.5X6 FH PLPS	4
25	430-1106-0	SCREW M3x6 FH PLPS BLK	4
26	440-1208-1	SCREW M4x8 PH PLPS BLK	2
28	430-1206-0	SCREW, M3x6 PH PLPS BLK	2
28	900-1170	THERMAL PAD PSU INSPIRE XT (S/A 632-0405)	1
29	632-0583	BRACKET PCB SUPPORT HEAT PIPE	1
30	632-0500	HEAT PIPE BENT	4
31	900-1175	THERMAL PAD	1
32	632-0137	PCB COMPLETE LED RGBW CQ INSPIRE XT TERMINAL STRIP	1
33	450-1420-4	SCREW M5x20 SHCS Zn	8
34	632-0106	PCB COMPLETE HOUSE LIGHT MAINS	1
35	440-1216-0	SCREW M4x16 PH PLPS BLK	3
36	632-0312	JUMPER 4 PIN 15"	1
37	430-1212-0	SCREW M3x12 PH PLPS BLK	4
38	450-2609-1	WASHER LOCK M5 EXT TOO H ZN	1
39	632-0086	CONNECTOR BOX	1



Chroma-Q™ <small>BRILLIANT SOLUTIONS</small>		<small>ALL INFORMATION CONTAINED IN THIS DOCUMENT IS PROPERTY OF CHROMA-Q AND MAY NOT BE REPRODUCED IN WHOLE OR PART WITHOUT PERMISSION OF CHROMA-Q</small>	
<small>UNLESS OTHERWISE SPECIFIED ALL DIMENSIONS ARE IN MM [INCHES]</small>		TITLE: INSPIRE XT TERMINAL STRIP EXPLODED	
<small>THIRD ANGLE PROJECTION</small> 		SIZE A2	PART NO. 632-82XX_EXPLD
		REV E	SCALE: 1:5
		WEIGHT:	SHEET 1 OF 1